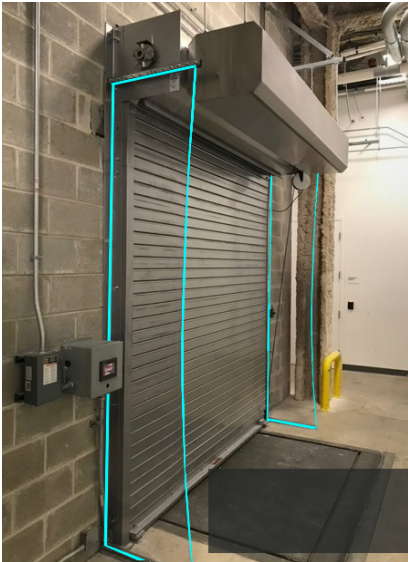
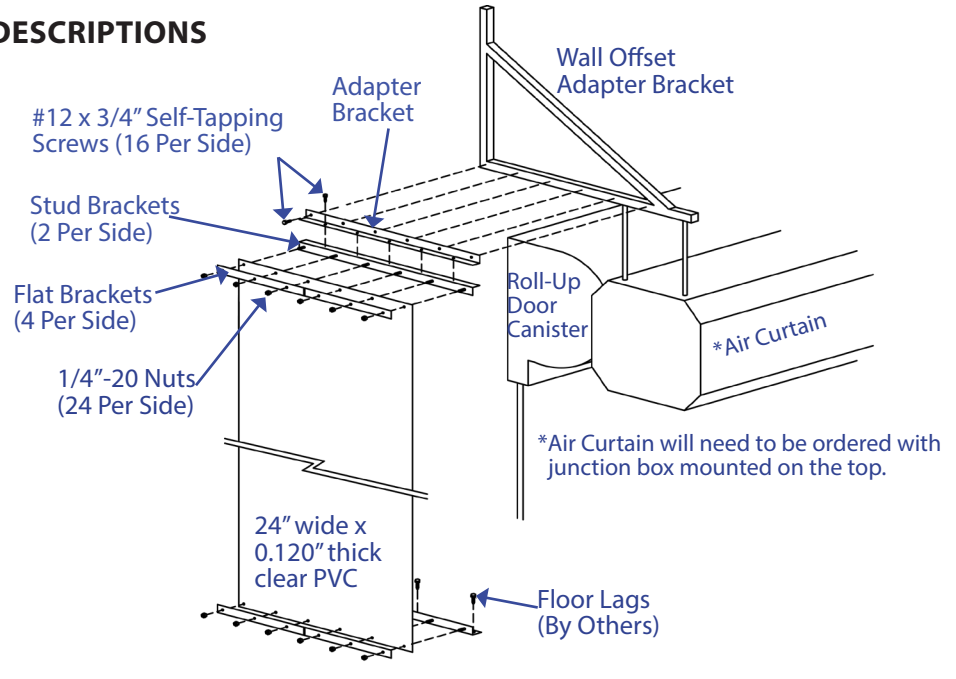


Side Baffles Installation Instructions

PRODUCT IMAGE



DESCRIPTIONS



USAGE

Side baffles are recommended in applications where the air curtain cannot be flush mounted/mounted in close proximity to the wall, thus creating a gap between the air flow and the door opening. This is commonly found when a roll-up door cannister is being used. The side baffles complement the air curtain by helping create a flush/gap free barrier that prevents the entrance of unwanted elements while preventing the escape of conditioned inside air.

INSTRUCTIONS

1. Use the supplied self-tapping screws to attach the Adapter Bracket to the side of the Wall Offset Bracket (supplied separately).
2. Use the supplied self-tapping screws to attach the upper Stud Bracket to the Adapter Bracket.
3. Drill 3/8" holes in the top of the PVC to line up with the studs.
4. Place the PVC and Flat Brackets over the studs at the top and secure with the supplied nuts.
5. Cut the bottom of the PVC so that it just reaches the floor.
6. Lag the lower Stud Bracket to the floor and drill 3/8" holes in the bottom of the PVC to line up with the studs.
7. Place the PVC and Flat Brackets over the lower studs and secure with the supplied nuts.
8. Repeat the steps above for the other side of the door.

NOTE: INSTRUCTIONS ARE FOR A TYPICAL ROLL-UP DOOR. ACTUAL INSTALLATION MAY VARY PER APPLICATION

QUESTIONS & TECHNICAL SUPPORT AVAILABLE. CONTACT US DIRECTLY:

Phone Support
1-888-321-Aire (2473)

Email Support & Service
CustomerService@PoweredAire.com

Sales Questions
Sales@PoweredAire.com